

PROFESSIONAL DRYERS

DPR 8
DPR 10



ROBUSTNESS

- Robust door in aluminium,
- Drawer as fluff filter : not in the door,
- Industrial fan and powerful airflow,
- Sturdy construction of the structure and panels
- Outer casing in grey skinplate



FEATURES

TWO CONTROLS :

- **EASY TOUCH 2** with 4,3" touch screen, user friendly and fully programmable, USB connexion, WIFI connexion
- **EM electronic control**: selection of time and temperature.
- Reduced drying time (less than 45 mn) :
- Heating : 6,75 kw, option 4,5 kw.



VERSATILITY

- OPL <> COIN: standard model easily transformable.
- SINGLE <> STACKED: a dryer could be stacked on a washer or another dryer.
- Reversible control panel.



EFFICIENCY

- improved air flow system.
- Large diameter of door, ø 588 mm.
- Big fluff filter - better air efficiency
- Efficient driven design and construction



OTHERS

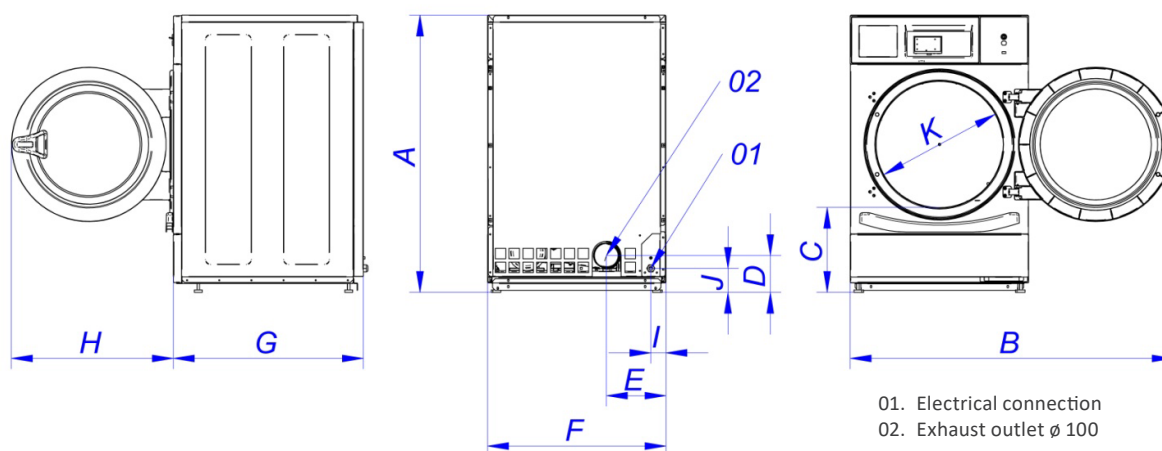
- Grey skinplate outer casing,
- Galvanized drum,
- Axial airflow,
- Transmission by pulley and belts,
- Electric heating,
- Easy access to components for easy maintenance,
- COOL DOWN - anti-wrinkles program at the end of cycle.



OPTIONS

- Reversing door opening.
- AISI 304 stainless steel panels.
- Plinth for ergonomic height of loading.
- CARE DRY moisture control (with ET2 models only).
- Programming console for EM control.
- Danube Online communication kit.
- self-service kits: coin or token meter + coin/token box, central pay.
- Special voltages.

TECHNICAL DATA	UNIT.	DPR 8		DPR 10	
DRUM					
Capacity 1:18 / 1:20	Kg	8,9 / 8		11,1 / 10	
Volume (litres)	l	160		200	
Drum diameter \varnothing	mm	590		590	
Drum depth	mm	585		690	
Hourly output	Kg/h	9,8		11,2	
Capacity of evaporation	l/h	4,65		6,35	
DOOR					
Height door centre	mm	554		554	
Height door base	mm	250		250	
Diameter	mm	588		588	
GENERAL DATA					
ET2 control	-	Touchscreen 4,3"		Touchscreen 4,3"	
EM control	-	Electronic		Electronic	
USB connection	-	Yes		Yes	
Construction	-	Skinplate panels		Skinplate panels	
Plinth	-	OPT		OPT	
Self service version	-	Yes		Yes	
Sound level	db	62		62	
POWER					
Motor	kW	0,37		0,37	
Electric heating	kW	4,5	6,75	4,5	6,75
CONNECTIONS					
Tension 230V I+N+T 50Hz	Nº x mm2/A	3x6 - 32A		3x6 - 32A	
Tension 230V III+T 50Hz	Nº x mm2/A	4x2,5 - 20A		4x2,5 - 20A	
Tension 400V III+N+T 50Hz	Nº x mm2/A	5x2,5 - 10A		5x2,5 - 16A	
Tension 230V I+N+T 60Hz	Nº x mm2/A	3x10 - 32A		3x10 - 32A	
Tensión 230V III+T 60Hz	Nº x mm2/A	4x2,5 - 20A		4x2,5 - 20A	
Tension 400V III+N+T 60Hz	Nº x mm2/A	5x2,5 - 16A		5x2,5 - 16A	
Tension 440 III+T 60Hz	Nº x mm2/A	5x1,5 - 10A		5x1,5 - 10A	
Tension 460/480 III+T 60Hz	Nº x mm2/A	5x1,5 10A		5x1,5 10A	
\varnothing Exhaust	mm	100		100	
Airflow	m3/h	300		300	
DIMENSIONS / PACKING DIMENSIONS					
Length / Length	mm	680 / 710		680 / 710	
Depth / Depth	mm	722 / 832		775 / 832	
Height / Height	mm	1.056 / 1.141		1.056 / 1.141	
Net weight / Gross weight	kg	89 / 101		93 / 104	
Volume	m ³	0,67		0,67	



	A	B	C	D	E	F	G	H	I	J	K
DPR-8	1.056	1.227	320	140	226	680	722	615	57	91	480
DPR-10	1.056	1.227	320	140	226	680	775	615	57	91	480